

- > Port size: 3/8 ... 3/4 PTF
- > Applications include marine environment, oil and gas production, chemical and food processing, medical analysis
- > Designed for use in corrosive environments
- > Relieving or non relieving models. Relieving models allow reduction of outlet pressure even when the system is dead-ended
- > Metallic parts meet NACE* Standard MR-01-75

* National Association of Corrosion Engineers – recognised oil-field recommendation for resistance to sulphide stress cracking common in well-head and other corrosive environments



Technical features

Medium:
Compressed air only
Maximum inlet pressure:
31 bar (450 psig) (manual drain)
17 bar (247 psig) (autodrain)
Outlet pressure range:
0,04 ... 2 bar (0,5 ... 29 psig),
0,07 ... 4 bar (1 ... 58 psig),
0,3 ... 9 bar (4,4 ... 131 psig)
Element:
5 or 25 µm

Port sizes:
3/8, 1/2 or 3/4 PTF
1/4 PTF (gauge), 1/8 PTF (relief)
G 1/8 (automatic drain)
Drain:
Manual or automatic
Automatic drain operation conditions (float operated):
To close: > 0,3 bar,
To open: < 0,2 bar
Minimum air flow required to close 1 dm³/s

Ambient/Media temperature:
-40 ... +80°C (-40 ... +176 °F)
Air supply must be dry enough to avoid ice formation at temperatures below +2°C (+36 °F).

Materials:
Body, bowl, bonnet & adjusting screw: stainless steel
Filter element: High density polyethylene
Elastomers: Synthetic rubber

Technical data, standard models, relieving and panel nut

| Symbol | Port size | Outlet pressure (bar) | Element (µm) | Flow * (dm³/s) | Drain | Weight (kg) | Model |
|--------|-----------|-----------------------|--------------|----------------|-----------|-------------|--------------|
| | 3/8 PTF | 0,3 ... 9 | 5 | 50 | Manual | 1,9 | B38-344-M1LA |
| | 1/2 PTF | 0,3 ... 9 | 5 | 50 | Manual | 1,9 | B38-444-M1LA |
| | 3/4 PTF | 0,3 ... 9 | 5 | 50 | Manual | 1,9 | B38-644-M1LA |
| | 3/8 PTF | 0,3 ... 9 | 5 | 50 | Automatic | 1,9 | B38-344-A1LA |
| | 1/2 PTF | 0,3 ... 9 | 5 | 50 | Automatic | 1,9 | B38-444-A1LA |
| | 3/4 PTF | 0,3 ... 9 | 5 | 50 | Automatic | 1,9 | B38-644-A1LA |

* Typical flow with 12 bar inlet pressure, 8 bar set pressure and a 1 bar drop from set.

Option selector

| Port size | Substitute |
|------------------------------|------------|
| 3/8 PTF | 3 |
| 1/2 PTF | 4 |
| 3/4 PTF | 6 |
| Diaphragm & mounting | Substitute |
| Relieving with panel nut | 4 |
| Non-relieving with panel nut | 5 |

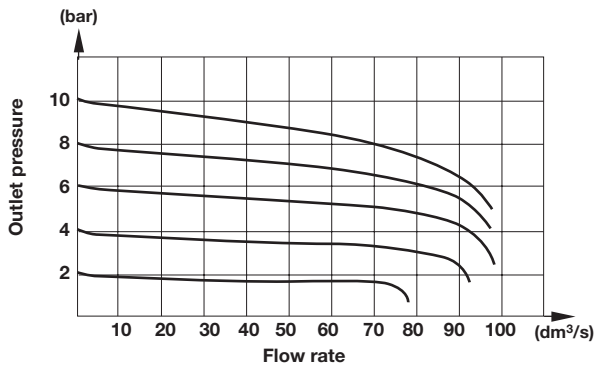
B38-★4★-★★★A

| Outlet pressure adjustment ranges (bar)* | Substitute |
|--|------------|
| 0,04 ... 2 | C |
| 0,07 ... 4 | F |
| 0,3 ... 9 | L |
| Element | Substitute |
| 5 µm | 1 |
| 25 µm | 2 |
| Drain | Substitute |
| Automatic | A |
| Manual | M |



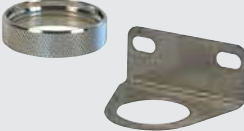


* Outlet pressure can be adjusted to pressures in excess of, and less than, those specified. Do not use these units to control pressures outside of the specified ranges.

Flow characteristics

Inlet pressure: 12 bar, filter element: 25 µm, port size: 1/2 PTF






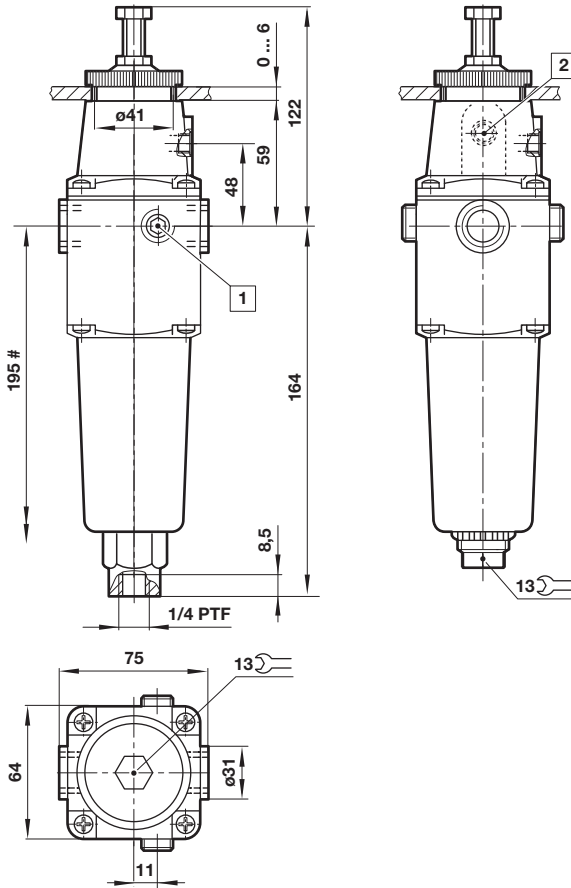
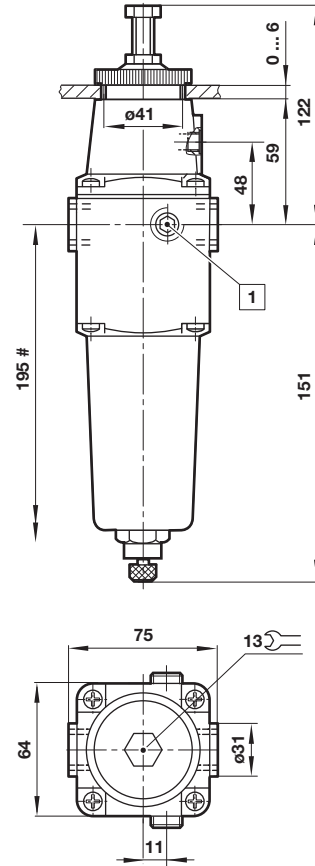
Accessories

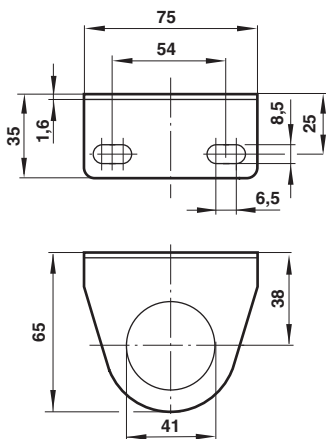
| Panel nut | Neck mounting bracket | Neck mounting bracket | Gauge *1) | Plastic adjusting knob |
|---|---|---|--|---|
|  |  |  |  |  |
| 5988-02 | 5989-02 | 18-001-973 (includes panel nut) | 18-015-913 (0 ... 6 bar, -40 ... 65°C) 18-015-909 (0 ... 10 bar, -40 ... 65°C) | 74630-04 |

*1) Stainless steel items not strictly to NACE standard MR-01-75.

Service kits

| Filter element | Valve assembly and diaphragm | Drain kit |
|---|---|---|
|  |  |  |
| 2787-43 (5 µm element) 2787-44 (25 µm element) | 2787-41 (relieving) 2787-42 (non-relieving) | 3000-87 (automatic) |

Dimensions
Automatic drain

Manual drain

 Dimensions in mm
 Projection/First angle

Neck mounting bracket


Minimum clearance required to remove bowl

1 1/4 PTF Gauge port

2 1/8 PTF Relief port

Warning

These products are intended for use in industrial compressed air systems only. Do not use these products where pressures and temperatures can exceed those listed under »Technical features/data«.

Before using these products with fluids other than those specified, for non-industrial applications, life-support systems or other applications not within published specifications, consult IMI Precision Engineering, IMI International s.r.o.

Through misuse, age, or malfunction, components used in fluid power systems can fail in various modes.

The system designer is warned to consider the failure modes of all component parts used in fluid power systems and to provide adequate safeguards to prevent personal injury or damage to equipment in the event of such failure.

System designers must provide a warning to end users in the system instructional manual if protection against a failure mode cannot be adequately provided.

System designers and end users are cautioned to review specific warnings found in instruction sheets packed and shipped with these products.