

Exd(e), Weatherproof



Introduction

This range of lightweight all GRP, flameproof sounders is intended for use in potentially explosive gas and dust atmospheres and has been designed with high ingress protection to cope with the harsh environmental conditions found offshore and onshore in the oil, gas and petrochemical industries.

The flamepaths, flare and the body, are manufactured completely from a UV stable glass reinforced polyester.

Stainless steel screws and sinter are incorporated thus ensuring a corrosion free product. A tapered flamepath is used to overcome the problems of assembly of parallel spigot flamepaths.

An optional Exe terminal chamber is available.

An uncertified version is available for use in non-explosive atmospheres.

Features

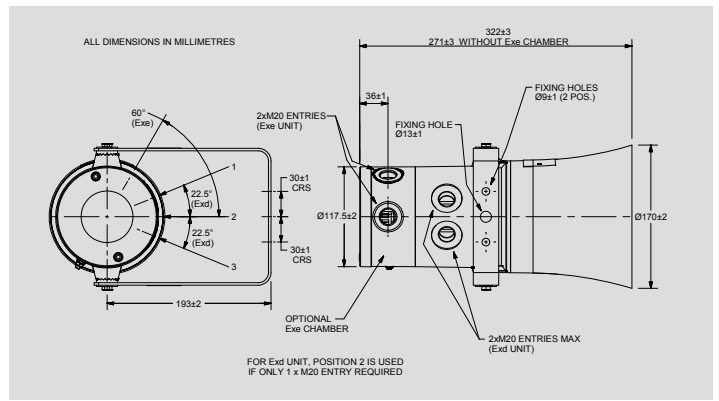
- Zone 1, Zone 2 and non-Ex use.
- Ex de IIC T4/T5.
- ATEX approved, EEx II 2GD.
- Optional Exe terminal chamber.
- IECEx certified Gb, Db.
- UL Listed for USA and Canada:
 - Hazardous locations:
 - Class I, Div 2, Groups A-D.
 - Class II, Div 2, Groups F & G.
 - Class I, Zones 1 & 2, AExd IIC T5.
 - Ordinary locations: Audible-Signal Device.
- ULC certified for Class I, Zone 1 AEx d IIC. Class I & II, Division 2.
- CUTR certified.
- Chinese (CQST) certified.
- Brazilian (Inmetro) certified.
- IP66 and IP67.
- SIL 1 Certified.
- Designed in accordance with EN54-3.
- *Certified temperature: -55°C to +70°C.
- All GRP corrosion free flamepaths.
- Up to 118dB(A) output.
- Integral volume control.
- 27 tones, user selectable.
- Tones comply with UKOOA/PFEER guidelines.
- Two tones may be switched via the external voltage supply – now available in a.c. and d.c. versions.
- Tones may be programmed to customer specification.
- d.c. version accepts any voltage between 12V d.c. and 48V d.c.
- End of line resistor option.
- Sounder/Beacon Combination Unit available.

**Depending on version.*



Certification and Specification

ATEX EEx d:	Cert. no. BAS00ATEX2097X. Certified to: EN50014, EN50018. Ex II 2GD, EEx d IIC T4/T5.
ATEX EEx de:	Cert. no. BAS00ATEX2098X. Certified to: EN50014, EN50018, EN50019. Ex II 2GD, EEx de IIC T4/T5.
IECEx Ex d:	Cert. no. IECEx BAS 11.0083X. Certified to: IEC60079-0, IEC60079-1, IEC60079-31. Ex d IIC T4/T5 Gb, Ex tb IIIC T100°C/T135°C Db.
IECEx Ex de:	Cert. no. IECEx BAS 11.0084X. Certified to: IEC60079-0, IEC60079-1, IEC60079-7, IEC60079-31. Ex de IIC T4/T5 Gb, Ex tb IIIC T100°C/T135°C Db.
UL Haz Locs:	Listing no. E203310. Class I, Div 2, Groups A - D. Class II, Div 2, Groups F & G. Class I, Zones 1 & 2, AExd IIC T5.
UL Ord Locs:	Listing no. S8116. Audible signal device.
CUTR Ex d: †	1Ex d IIC T4/T5 Gb, Ex tb IIIC T100°C/T135°C Db. Russian Fire Approved.
CUTR Ex de: †	1Ex de IIC T4/T5 Gb, Ex tb IIIC T100°C/T135°C Db. Russian Fire Approved.
Inmetro Ex d:	Ex d IIC T4/T5 Gb.
Inmetro Ex d e:	Ex d e IIC T4/T5 Gb.
CQST:	Exd IIC T4.
ABS:	American Bureau of Shipping for DB4D and DB4E only.
SIL:	SIL1 certification to IEC61508. Cert. No. Sira FSP 11010/01.
EN54:	Designed in accordance with EN54-3.
Material:	Body & horn in anti-static, UV stable, glass reinforced polyester. Swivel bracket & captive cover screws in stainless steel.
Finish:	Body and horn, natural black or painted to customer colour requirements.
Voltage:	Up to 48V d.c. Up to 254V a.c.
Weight:	6.0kg approx. dependent on model (+0.5kg for Exe).
Ingress Protection:	IP66 & 67.
Entries:	Up to 2 x M20 Exd 2 x M20 Exe. Up to 2 x 1/2" NPT UL. Note: ATEX/UL Dual Listed version up to 2 x 1/2". NPT or 2 x M20 via adapter (fitted).
Terminals:	4 x 2.5mm ² (a.c.), 6 x 2.5mm ² (d.c.).
Output:	Long Flare: 115dB(A) ± 3dB(A) (tone dependent). Short Flare: 108dB(A) ± 3dB(A) (tone dependent).
Fire Retardancy:	GRP is fire retardant to ISO 1210.
Mounting:	Stainless steel bracket with ratchet facility.
Earth Continuity:	Included on Exde version.
Labels:	Duty and tag labels optional.
Tone Selection:	27 user selectable tones available.
Sounder/Beacon Unit:	The DB3 may be combined with an MEDC beacon to create a combined audio/visual alarm. Contact MEDC for price and specification.



Certified Temperature:

	Exd	Exde	UL	GOST R Exde	Chinese Exd
DB3 & DB3P	-20°C to +70°C	-20°C to +70°C	-55°C to +70°C	-20°C to +40°C	-20°C to +55°C
DB3L & DB3LP*	-55°C to +70°C	-50°C to +70°C	n/a	-55°C to +55°C	n/a

* DB3L & DB3LP IECEx Min Temp - 40°C

Two Stage Unit DB3P:

Switchable between two tones:

D.C. (i) Reversing the polarity of the supply, or
(ii) by a 3 wire common +ve system, switching between the two -ve lines.

A.C. (iii) Closing/opening connection between 2 terminals e.g. by using a volt free relay contact at the panel. 2 tones must be specified at time of order.

3 & 4 Tone unit: Remote 3 & 4 tone unit available – contact sales office for details.

Volume Control

*Nominal Output dB(A)	Input Current mA
93	50
105	100
108	150
111	200
112	250
114	300
115	350

*Output measured with 24V input voltage. Tone set to 970Hz continuous.

Current Consumption

V	I	V	I
12V d.c.	760mA	220V a.c.	68mA
24V d.c.	380mA	230V a.c.	65mA
48V d.c.	190mA	240V a.c.	62mA
110V a.c.	135mA	254V a.c.	59mA
120V a.c.	124mA		

Ordering Requirements

The following code is designed to help in selection of the correct unit. Build up the reference number by inserting the code for each component into the appropriate box.

Model	Certification	Voltage	Labels	Entries	Options	Finish																																																																																								
<table border="1"> <tr> <th>Model</th> <th>Details</th> </tr> <tr> <td>DB3</td> <td>Standard unit</td> </tr> <tr> <td>DB3P</td> <td>Two stage</td> </tr> <tr> <td>DB3L*†</td> <td>Low temp. standard unit</td> </tr> <tr> <td>DB3LP*†</td> <td>Low temp. two stage</td> </tr> </table>	Model	Details	DB3	Standard unit	DB3P	Two stage	DB3L*†	Low temp. standard unit	DB3LP*†	Low temp. two stage	<table border="1"> <tr> <th>Certification</th> <th>Code</th> </tr> <tr> <td>Uncertified</td> <td>W</td> </tr> <tr> <td>Exd</td> <td>D</td> </tr> <tr> <td>Exde</td> <td>E</td> </tr> <tr> <td>IECEx Exd</td> <td>DJ</td> </tr> <tr> <td>IECEx Exde</td> <td>EJ</td> </tr> <tr> <td>UL Listed</td> <td>UL*</td> </tr> <tr> <td>UL (Ordinary Locations)</td> <td>UW</td> </tr> <tr> <td>ATEX/UL Dual Listed</td> <td>AU</td> </tr> <tr> <td>CUTR Exd</td> <td>DG</td> </tr> <tr> <td>CUTR Exde</td> <td>EG</td> </tr> <tr> <td>Chinese (CQST)</td> <td>Q</td> </tr> <tr> <td>Inmetro Exd</td> <td>DM</td> </tr> <tr> <td>Inmetro Exde</td> <td>EM</td> </tr> </table>	Certification	Code	Uncertified	W	Exd	D	Exde	E	IECEx Exd	DJ	IECEx Exde	EJ	UL Listed	UL*	UL (Ordinary Locations)	UW	ATEX/UL Dual Listed	AU	CUTR Exd	DG	CUTR Exde	EG	Chinese (CQST)	Q	Inmetro Exd	DM	Inmetro Exde	EM	<table border="1"> <tr> <th>Voltage</th> <th>Code</th> </tr> <tr> <td>12V-48V d.c.</td> <td>048</td> </tr> <tr> <td>110V a.c.</td> <td>110</td> </tr> <tr> <td>120V a.c.</td> <td>120</td> </tr> <tr> <td>220V a.c.</td> <td>220</td> </tr> <tr> <td>230V a.c.</td> <td>230</td> </tr> <tr> <td>240V a.c.</td> <td>240</td> </tr> <tr> <td>254V a.c.</td> <td>254</td> </tr> </table>	Voltage	Code	12V-48V d.c.	048	110V a.c.	110	120V a.c.	120	220V a.c.	220	230V a.c.	230	240V a.c.	240	254V a.c.	254	<table border="1"> <tr> <th>Label</th> <th>Code</th> </tr> <tr> <td>Duty</td> <td>D*</td> </tr> <tr> <td>Tag</td> <td>T*</td> </tr> <tr> <td>None</td> <td>N</td> </tr> </table>	Label	Code	Duty	D*	Tag	T*	None	N	<table border="1"> <tr> <th>Entries</th> <th>Code</th> </tr> <tr> <td>1 x M20 (Exd)</td> <td>1B</td> </tr> <tr> <td>2 x M20 (Exd/Exde)</td> <td>2B</td> </tr> <tr> <td>1 x 1/2" NPT (UL only)</td> <td>1C</td> </tr> <tr> <td>2 x 1/2" NPT (UL only)</td> <td>2C</td> </tr> </table>	Entries	Code	1 x M20 (Exd)	1B	2 x M20 (Exd/Exde)	2B	1 x 1/2" NPT (UL only)	1C	2 x 1/2" NPT (UL only)	2C	<table border="1"> <tr> <th>Option</th> <th>Code</th> </tr> <tr> <td>None</td> <td>N</td> </tr> <tr> <td>End of line resistor</td> <td>E*</td> </tr> <tr> <td>Special tone</td> <td>S</td> </tr> </table>	Option	Code	None	N	End of line resistor	E*	Special tone	S	<table border="1"> <tr> <th>Finish</th> <th>Code</th> </tr> <tr> <td>Natural Black</td> <td>N</td> </tr> <tr> <td>Red</td> <td>R</td> </tr> <tr> <td>Special</td> <td>S*</td> </tr> </table>	Finish	Code	Natural Black	N	Red	R	Special	S*
Model	Details																																																																																													
DB3	Standard unit																																																																																													
DB3P	Two stage																																																																																													
DB3L*†	Low temp. standard unit																																																																																													
DB3LP*†	Low temp. two stage																																																																																													
Certification	Code																																																																																													
Uncertified	W																																																																																													
Exd	D																																																																																													
Exde	E																																																																																													
IECEx Exd	DJ																																																																																													
IECEx Exde	EJ																																																																																													
UL Listed	UL*																																																																																													
UL (Ordinary Locations)	UW																																																																																													
ATEX/UL Dual Listed	AU																																																																																													
CUTR Exd	DG																																																																																													
CUTR Exde	EG																																																																																													
Chinese (CQST)	Q																																																																																													
Inmetro Exd	DM																																																																																													
Inmetro Exde	EM																																																																																													
Voltage	Code																																																																																													
12V-48V d.c.	048																																																																																													
110V a.c.	110																																																																																													
120V a.c.	120																																																																																													
220V a.c.	220																																																																																													
230V a.c.	230																																																																																													
240V a.c.	240																																																																																													
254V a.c.	254																																																																																													
Label	Code																																																																																													
Duty	D*																																																																																													
Tag	T*																																																																																													
None	N																																																																																													
Entries	Code																																																																																													
1 x M20 (Exd)	1B																																																																																													
2 x M20 (Exd/Exde)	2B																																																																																													
1 x 1/2" NPT (UL only)	1C																																																																																													
2 x 1/2" NPT (UL only)	2C																																																																																													
Option	Code																																																																																													
None	N																																																																																													
End of line resistor	E*																																																																																													
Special tone	S																																																																																													
Finish	Code																																																																																													
Natural Black	N																																																																																													
Red	R																																																																																													
Special	S*																																																																																													

* Available unpainted only.

† Min IECEx temp - 40°C.

* Not all options are available UL listed.

For ULC ordering codes and technical details please refer to the US data sheet.

* State value.

All specifications, dimensions, weights and tolerances are nominal (typical) and MEDC reserve the right to vary all data without prior notice. No liability is accepted for any consequence of use.



6DS094/Y 06 /14